

零序互感器

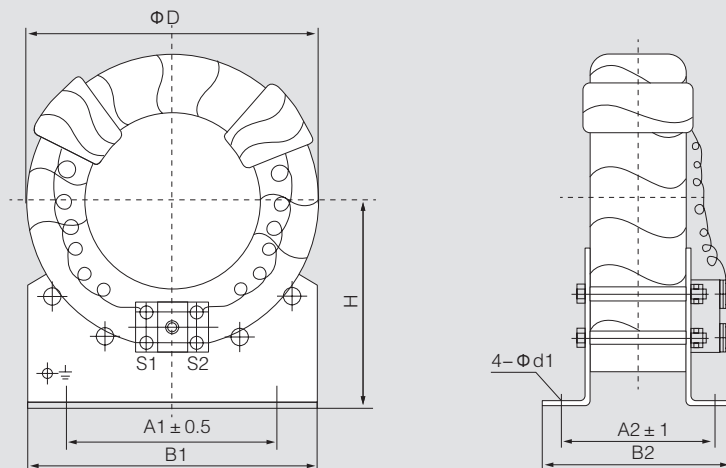
技术参数 Technical data

- 额定频率 50Hz 或 60Hz
Rated frequency 50Hz or 60Hz
- 用于额定电压 35kV 及以下的小接地电流系统中供电缆接地保护用
They are used for overdriven current protection in the electric non-useful-ground neutral system up to rated voltage 35kV
- 本型电流互感器配套使用的继电器型号为 DL-11/0.20
The type of the relay fitting with the transformers is DL-11/0
- 本型零序电流互感器一次主绝缘由电缆保证，产品开合二次绕组的绝缘性能，二次绕组对地耐压为 3kV- 分钟
Because the cable protects the primary main insulation, so, the insulation characteristics of secondary winding are only examined. The secondary winding can be able to withstand the to groupr power frequency test voltage of 3kV to ground



型号 Type	变比 (A) Transformation ratio	二次负荷 (W) Transformation ratio	继电器型号 Relay type	整定电流 (继电器绕组并联) (A) Setting current (Relay winding parallel connection)	使继电器动作的一次剩余电流 (A) Primary residual current of relay acting (A)	二次回路中不平衡电压 (mV) Unbalanced voltage of secondary loop	重量 (kg) Weight
LJ-1	20/1	10	DD-11/60	0.03	1-3	40	2.3
LJ-2	25/1					40	16
LJ-4	30/1					40	28
LJ-7	35/1					30	32

外形及安装尺寸 Overall dimension drawing



规格	D	d	d1	Ad1	Ad2	B1	B2	H
LJ-1	145	82	9	80	80	130	80	103
LJ-2	230	110	13	150	150	209	200	180
LJ-4	285	140	15	220	130	280	175	195
LJ-7/Φ185	310	185				280	175	220
LJ-7/Φ200	320	200				300	175	225
LJ-7/Φ240	410	240				300	240	270